

GENERAL DESCRIPTION:

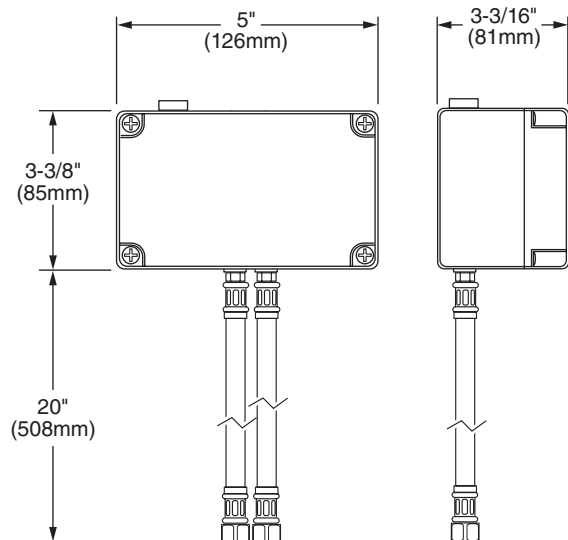
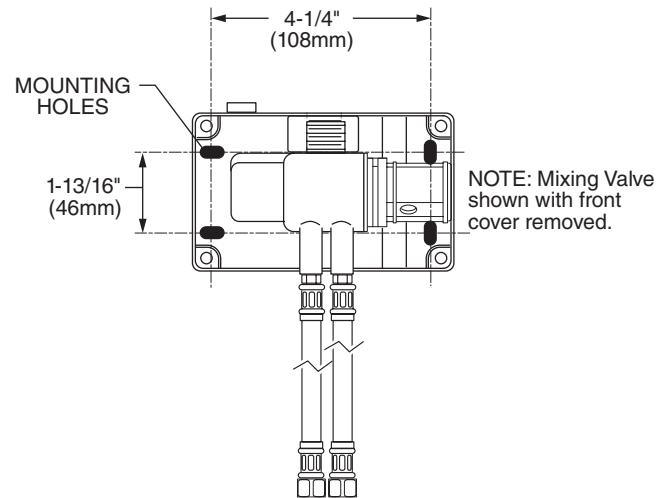
Below deck thermostatic water mixing valve to be used with Selectronic™ & Metering faucets. Adjustable temperature by using a 4mm Hex Wrench. To decrease temperature, rotate clockwise. To increase temperature, rotate counter-clockwise.

PRODUCT FEATURES:

- Anti-scald protection
- Built-in check valves prevent cross-flow
- 3/8" Stainless steel compression flex hoses, 20" length included
- Complies with CA AB1953 and VT S152
- Meets ASSE1016
- NSF 61/Section 9

MODEL NUMBER:

- **605XTMV** Recommended to be used with Selectronic™ and Metering faucets.



RECOMMENDED SPECIFICATION
The Mixing Valve shall be of thermostatic type with built-in check valves prevent cross-flow. Shall also meet ASSE 1016 performance and anti-scald requirements at 0.5 GPM. Fitting shall be American Standard Model # 605XTMV.